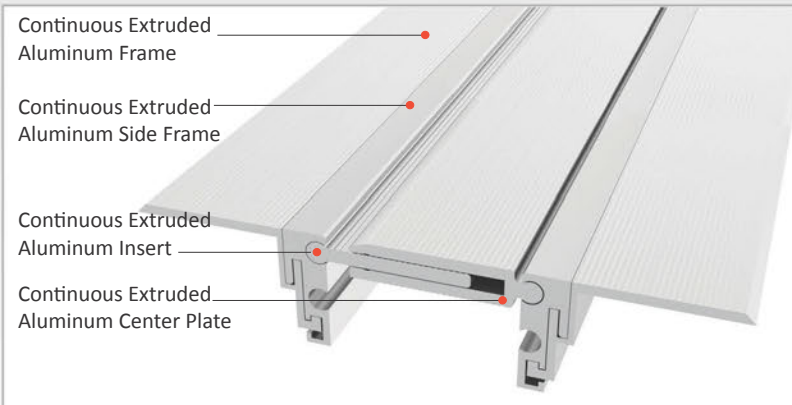


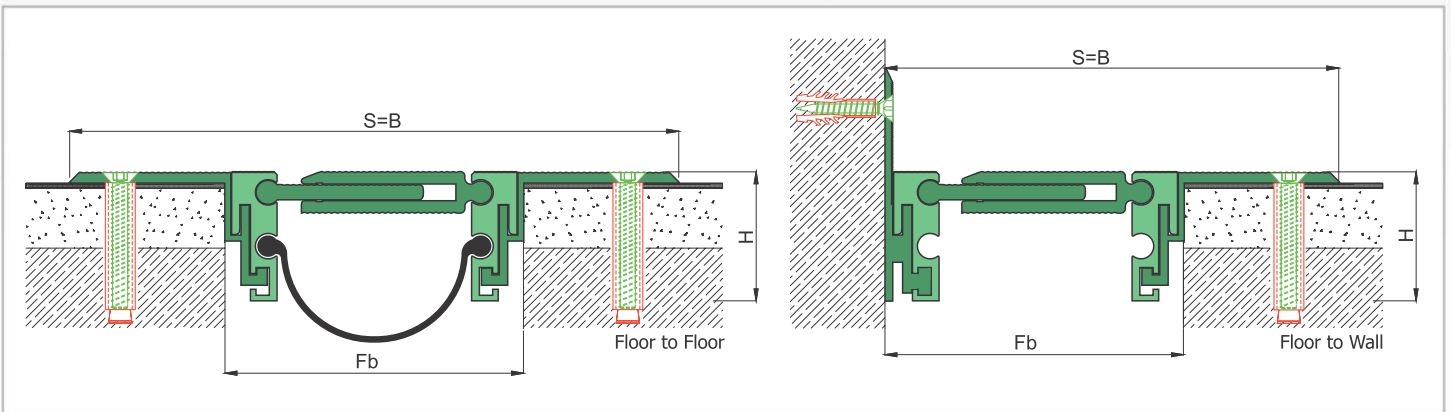


AS U237 surface mounted floor profiles are applicable to all types of floors and load bearing capacity is designed for heavy vehicles, cars or pedestrians depending on the gap inquired. Pure metal structure characterizes AS U237 as a hardwearing & maintenance free profile and makes it ideal for the places with heavy pedestrian traffic. Striated surface finish ensures antislip and round-headed articulated design enables the profile to meet displacements in 3 directions. Profiles are delivered factory-assembled and for some gaps soft EPDM tape is placed on the center plate to align the distance between the side frames. For flush mounted applications AS A227 model is available.

- Application Areas** : Indoor & Outdoor / Floor
- Ideal for** : Factories, Warehouses, Car Parks, Airports, Shopping Malls, Hospitals, Commercial & Public Buildings etc.
- Material** : Mill Finish Aluminum (Anodizing optional), Soft EPDM tape
- Aluminum Alloy** : 6063 AA-USA / EN AW 6063
- Optional Supplies** : Fire Barrier, Waterproof EPDM membrane



**FLOOR**



\* Visuals are representative and the profile configuration may differ depending on the characteristics requested.

LOCATION	MODEL	GAP (Fb) mm	HEIGHT (H) MM	OVERALL WIDTH (B) mm	VISIBLE WIDTH (S) mm	MOVEMENT (W) mm	LOAD CAPACITY	STANDARD LENGTH (mt)
Floor to Floor	AS U237-070	70	43	174	174	+10 / -4	25 kN  50 kN	3
	AS U237-100	100	43	204	204	± 8		3
	AS U237-120	120	43	224	224	± 16		3
	AS U237-150	150	43	254	254	± 18		3
	AS U237-200	200	43	304	304	± 26		3

Note: Please ask for different sizes

